

iwata Eclipse



IWATA G-SERIES MANUAL & PARTS GUIDE

Congratulations on your purchase of an Iwata *Eclipse™ G-Series*, a versatile, reliable and high-performance airbrush-gun. The **Iwata Eclipse G-Series Airbrush-Guns** are a breakthrough in large-format airbrushes. The ability to control detailed spray and finely atomize large swathes of paint highlight the airbrush's unique spray characteristics. It can also adjust spray pattern shapes from round circles to flattened ovals and everything in between. A stainless steel nozzle, paint passage and heat-tempered needle reflect Iwata's unceasing commitment to long-lasting, peak-performance spray equipment.

The G-Series Airbrush-Guns use reliable, easily serviceable air-valve and air-valve packing cartridge sets. Should the need arise, cartridge sets can be serviced outside the airbrush and can be easily replaced.

Designed for use with the Iwata Studio Series Power Jet, Power Jet Lite or Power Jet Pro compressors, these low air consumption airbrush-guns provide high atomization while minimizing overspray.

Ideal uses for the G-Series include automotive touch-up, custom automotive painting, motorcycle painting, illustration, background spraying, large studio work, murals and airbrush tanning.

ONLY FROM IWATA-MEDEA

Iwata airbrushes are designed for the demanding professional. Modern precision machining and high quality materials are used in the manufacturing process to ensure consistent high performance and long life. Each Iwata airbrush is spray-tested before shipment to assure maximum performance and adherence to Iwata's strict quality standards. To maintain your Eclipse G-Series at its peak performance, proper care and attention must be observed.

IWATA ECLIPSE G-SERIES AIRBRUSH-GUNS

These multi-purpose, high paint flow, Eclipse G-Series Airbrush-Guns cover a wide range of uses. Commonly used to spray pre-mixed or heavier paints, they are well suited for uses that demand precise control of spray when applying moderate-to-large amounts of paint to a variety of surfaces and to various-sized areas. These Eclipse Series Airbrush-Guns have established a benchmark for excellence in an all-purpose airbrush.

A unique "Pistol Grip" airbrush, the Eclipse G-Series Airbrush-Guns look like a miniature spray gun, but spray and perform like a large airbrush with its 0.3-mm to 0.6-mm stainless-steel nozzles.

- Equipped with a long tapered needle that ensures a smooth, wide background spray
- Utilizes a dual-purpose air cap and a fan adjustment valve that lets the airbrush spray a round or oval pattern
- The round pattern is useful for painting graphics, while the oval shape creates a smooth background spray
- Works well with the Iwata Studio Series Power Jet, Power Jet Pro and Power Jet Lite Compressors

NOTE: With the Eclipse G6, only round pattern can be achieved using these air sources.



Iwata Eclipse G6

- *MAC Valve for precise control of air and spray*
- *0.6-mm stainless-steel nozzle*
- *Spray width - 1/8" up to 2.5"+*
- *Long tapered needle for smooth transition between fine-to-wide background spray*
- *Dual-purpose air cap and fan adjustment valve to spray round or oval patterns*
- *Interchangeable with airbrush bottles*
 - *optional gravity-feed cups available*



Iwata Eclipse G5

- *True center-post gravity-feed airbrush*
- *MAC Valve for precise control of air and spray*
- *0.5-mm stainless steel nozzle*
- *Spray width - 1/4" up to 3"*
- *Twilight-chrome finish*



Iwata Eclipse G3

- *True center-post gravity-feed airbrush*
- *MAC Valve for precise control of air and spray*
- *0.3-mm stainless steel nozzle*
- *Spray width - 1/8" up to 2"*
- *Twilight-chrome finish*

GETTING STARTED

Pre-Check the Airbrush Settings

1. Close the pattern adjustment knob (#14) fully by gently twisting it clockwise until it stops. It doesn't need to be tight.
2. Open the fluid-adjustment knob (#22) fully by gently twisting it counterclockwise. **NOTE:** You might unscrew the fluid adjustment knob off of the airbrush. Don't worry. Screw it back on one or two full turns.
3. Open the air adjustment knob (#23) fully by twisting it counter clockwise until it stops. It doesn't need to be tight.
4. Loosen air cap cover ring (#3) to adjust the air cap (#1), specifically the little finger-like projections until they are horizontal to the ground. Then tighten air cap cover ring (#3).

Assembly

1. Screw the airhose firmly onto the air source outlet.
NOTE: In many cases the air source is a compressor.
2. Screw the air hose firmly onto the G-Series' air inlet beneath the handle.

G-6 Spraying

1. When using the G-6, fill a bottle at least ½ of the way full of properly prepared paint.

2. Screw the lid (bottle cap set) onto the bottle.
3. Push the metal nipple of the bottle firmly onto the bottle joint adaptor (#6). **NOTE:** Push the bottle firmly into the bottle joint adaptor ensuring a tight fit.
4. Adjust the air source pressure to 35 psi and spray away.

G-3 and G-5 Spraying

1. Screw metal gravity cup onto G-3 or G-5 Airbrush-Gun.
2. Fill cup at least 1/2 of the way full of properly prepared paint.
3. Attach lid to cup.
4. Adjust the air source to 35 psi and spray away.

Spraying (Continued)

1. Pull the trigger back slightly and only the air will come out.
2. Pull the trigger back more until paint starts to spray in small amounts.
3. Pulling the trigger back further releases even more paint until the trigger is pulled as far as it can go.

GENERAL OPERATION

Fine-Line Spray

1. Pull the trigger back slightly to start the air.
2. Position the airbrush close to the surface. About 1 inch or 2.5 cm.
3. Pull the trigger back a little more to start the flow of paint.

Control line thickness by adjusting the distance between the airbrush and the surface, and also by adjusting the paint flow amount.

Background Spraying

1. Position the airbrush further from the surface – 4-6 inches or 10-16 cm is common.
2. Pull the trigger back a lot to release a large amount of paint.

Control spray width by adjusting the distance between the airbrush and the surface and by opening the pattern adjustment knob (#14). Opening the pattern adjustment knob changes the spray pattern shape from a circle to an oval.

Control spray consistency over large areas by setting the fluid adjustment knob (#22) to limit the amount of paint volume sprayed.

1. Pull the trigger back to the desired amount of spray.
2. Screw the fluid-adjustment knob in until it pushes the trigger.

Cleaning

Cleaning the Airbrush-Gun between Colors

1. Replace the color bottle with a bottle containing the appropriate cleaning solution (when using the G-6). Rinse out gravity cup (when using G-3 and G-5) and fill with cleaning solution.
2. Spray until the solution sprays clear and clean.
3. Remove the bottle of cleaning solution (when using the G-6). Dump out remaining solution from gravity cup (when using G-3 and G-5).
4. Spray air until the airbrush sprays dry.
5. Fit a color bottle with the new color and spray or add new color to gravity cup.
6. Repeat the procedure when finished.

Before Each Session

Spray water, or appropriate solvent, through the airbrush to ensure the airbrush is in proper working order.

After Each Session

Or any time the airbrush becomes clogged:

1. Increase the air pressure.
2. Spray cleaning solution through the airbrush for a short time.
3. Unscrew the fluid adjustment knob (#22).
4. Remove the spring (#21).
5. Pull out the needle (#5).
6. Wipe down the needle.
7. Gently reinsert the needle. NOTE: The needle is delicate and sharp. Be careful not to bend the tip of the needle or hurt yourself while reinserting it.
8. Place the spring on the needle.
9. Screw the fluid adjustment knob onto the airbrush.

The higher air pressure will help to thoroughly clean out the paint.

Safety Tips

- Always spray in a well-ventilated area.
- Do not spray solvent-based (flammable) paints around open flames.
- Use the appropriate respirator to safely filter out the paint vapors particular to the to the kind of paint you are using.
- Wear eye protection to prevent paint contact with eyes.
- Never use air pressure that exceeds the airbrush-gun's limit. (6.8 bar, 10.68 MPa, 98 psi)

ECLIPSE G-SERIES DESCRIPTION OF FEATURES

Pattern Adjustment Set (#14)

This adjustment creates a circular- or oval-shaped spray pattern. When the valve is fully closed, twisted fully clockwise, the spray pattern will be a round shape. The round pattern is best for doing graphics in small areas. When the valve is fully opened, twisted fully counter-clockwise, the spray pattern will be an oval shape, also known as a fan pattern. The oval fan pattern provides a smooth background spray.

When using the Power Jet compressor, the pattern adjustment valve should only be opened a maximum of ½ turn. Using a compressor with power greater than 1 HP allows the valve to be fully opened, creating the fan pattern shape.

Air Cap (#1)

The air cap produces a round or an oval fan-shaped pattern depending on how the pattern adjustment valve is set. Refer to the Pattern Adjustment Set Instructions if necessary.

Orientation of the oval varies based on where the finger-like protrusions on the air cap are oriented. The finger-like protrusions dictate where the fat part of the oval will be. Spray with the fat part of the oval. If the oval is vertical, spray up and down. If the oval is horizontal, spray side to side.

Change the orientation by simply twisting the air cap. (Remember to loosen air cap cover ring first.)

Fluid Adjustment Knob (#22)

The fluid adjustment knob limits how much fluid will be sprayed when the trigger is pulled all the way back. After setting the spray pattern (see #14 description), the fluid adjustment knob sets the amount of spray delivered to an object's surface. This feature proves invaluable each time the trigger is pulled back while spraying large areas that need precise, repeatable spray output. It's cruise control for the long haul.

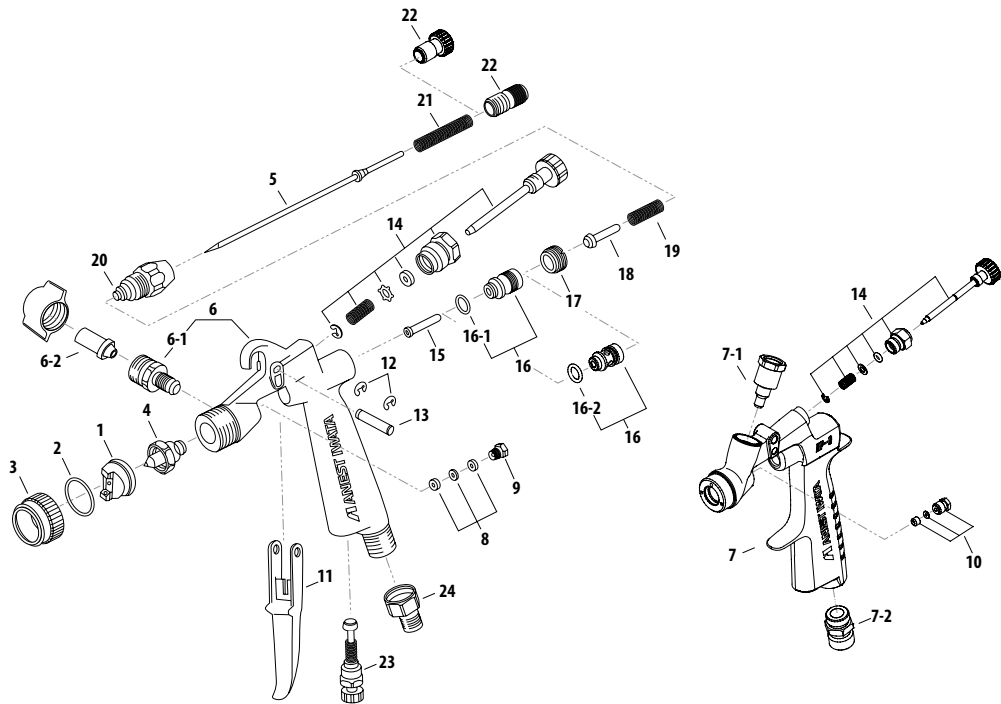
1. Start spraying with the knob fully opened, but don't screw it entirely off the airbrush!
2. Find the best trigger position for the best spray.
3. Screw the knob clockwise until the trigger pull is limited to the desired position.

Don't forget! Unscrew the knob when you can't figure out why you don't get as much spray as you used to.

Air Adjusting Set (#23)

The air adjustment knob sets the amount of air flowing through the airbrush. It's a convenient way to adjust the pressure on the fly. It functions like a MAC Valve*. Start with the knob set at the full open position by twisting it counterclockwise until it stops. After you're familiar with the airbrush, adjust the air pressure to achieve the best spray pattern as necessary.

**The MAC (Micro Air Control) Valve controls airflow to the airbrush-gun.*



— IWATA ECLIPSE G-SERIES SERIES AIRBRUSH-GUNS • MASTER PARTS LIST —

#	Code#	Part Name		G3	G5	G6
1	I 600 1	Air Cap	0.6 mm	opt	opt	■
	I 600 4		0.3 mm	■	opt	opt
	I 600 5		0.5 mm	opt	■	opt
2	I 600 2	Air Cap Packing		■	■	■
3	I 600 3	Air Cap Cover Ring		■	■	■
4	I 604 4	Fluid Head-Nozzle	0.6 mm	opt	opt	■
	I 604 5		0.3 mm	■	opt	x
	I 604 6		0.5 mm	opt	■	x
5	I 617 4	Fluid Needle	0.6 mm	x	x	■
	I 617 5		0.x mm	■	■	x
6	I 307 1	Airbrush Body Set		x	x	■
6-1	I 212 2	Fluid Cup Joint		x	x	■
6-2	I 623 1	Bottle Joint Adapter		x	x	■
7	I 307 1	Airbrush Body Set		■	■	x
7-1	I 650 1	Fluid Nipple		x	x	■
7-2	I 680 1	Air Nipple		x	x	■
8	I 215 2	Fluid Needle Packing		x	x	■
9	I 219 2	Needle Packing Seat		x	x	■
10	I 640 1	Needle Packing Set		■	■	x
11	I 233 1	Trigger		■	■	■
12	I 332 1	E Stopper 2pcs/pk		■	■	■
13	I 234 1	Trigger Stud		■	■	■
14	I 625 2	Pattern Adjustment Set		■	■	x
	I 625 1			x	x	■

■ = yes x = no opt = optional

#	Code#	Part Name		G3	G5	G6
15	I 202 3	Air Valve Shaft		■	■	■
16	I 205 2	Air Valve Seat Set		x	x	■
	I 205 7			■	■	x
16-1	I 217 1	Gasket Air Valve Seat		x	x	■
16-2	I 660 1	O-Ring		■	■	x
17	I 205 3	Air Valve Seat Screw		■	■	■
18	I 202 3	Air Valve		x	x	■
19	I 206 2	Air Valve Spring		■	■	■
20	I 208 2	Fluid Adjustment Guide Set		■	■	■
21	I 225 2	Needle Spring		■	■	■
22	I 209 1	Fluid Adjusting Knob		x	x	■
	I 670 1			■	■	x
23	I 626 1	Air Adjusting Set		x	x	■
	I 626 2			■	■	x
24	I 624 1	Airhose Adapter (1/4" -1/8")		x	x	■
	I 480 3	3 oz. Fluid Bottle		opt	opt	opt
	I 210 1	4 oz. Fluid Bottle (PC-61)		opt	opt	opt
	I 230 1	Spanner		opt	opt	opt
	I 210 1	Fluid Cup 4 oz. (PC-61)		opt	opt	opt
	I 210 2	Fluid Cup 7 oz. (PC-51)		opt	opt	opt
	I 210 3	Fluid Cup 8 oz. (PC-5)		opt	opt	opt
	I 211 1	Fluid Cup Lid (PC-61)		opt	opt	opt
	I 211 2	Fluid Cup Lid (PC-51)		opt	opt	opt
	I 211 3	Fluid Cup Lid (PC-5)		opt	opt	opt

■ = yes x = no opt = optional

All Iwata airbrushes are *Warranted* against all manufacturing defects of material and manufacture or workmanship for a period of FIVE years from the date of purchase. This warranty does not cover fluid needles or fluid nozzles since these parts need to be replaced occasionally due to normal wear. Any other part or material that is or becomes defective so as not to be usable within this period will be repaired or replaced. This warranty does not cover damage caused by negligence or airbrushes that have been altered or abused in any way. Call or email Iwata-Medea before returning an airbrush for the appropriate procedure for warranty repairs.



Genuine Iwata



— WWW.IWATAAIRBRUSH.COM —

Iwata-Medea, Inc. • 1336 N. Mason • Portland, Oregon 97217

tel: (503) 253-7308 • fax: (503) 253-0721 • info@medea-artool.com

part no. XXX XXXX